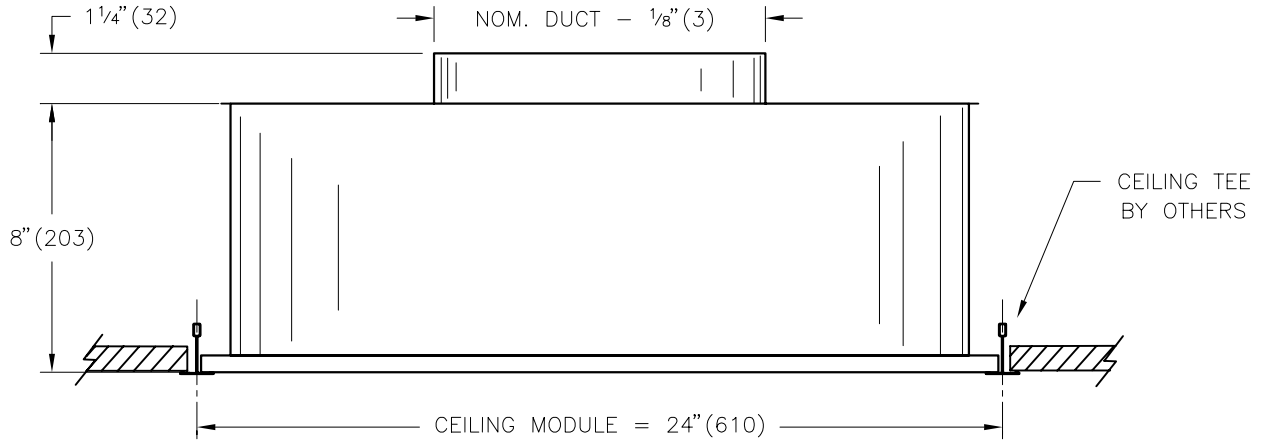


RVD RADIAL VANE DIFFUSER



CEILING MODULE	OVERALL DIFFUSER	ROUND DUCT SIZES					
24" X 24" (610) X (610)	23 3/4" X 23 3/4" (603) X (603)	6" (152)	8" (203)	10" (254)	12" (305)	14" (356)	16" (406)

NOTES:

- ROUND PLENUM

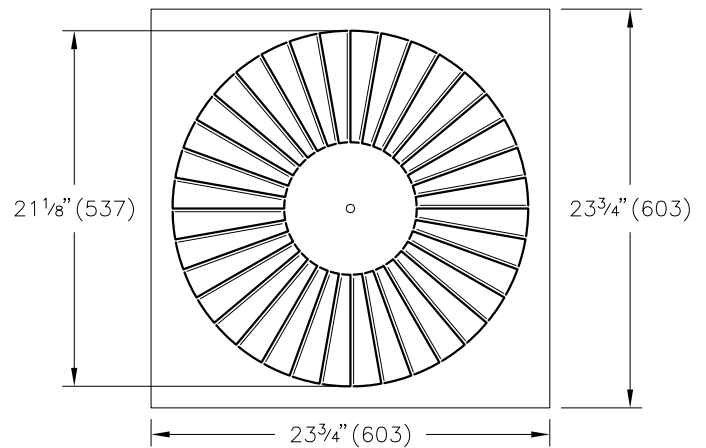
MATERIAL

- RVD: CRS FACE AND COATED STEEL PLENUM

FINISH


□ DIFFUSER FACE: B12 WHITE
(OPTIONAL FINISHES AVAILABLE)

- PLENUM: MILL FINISH

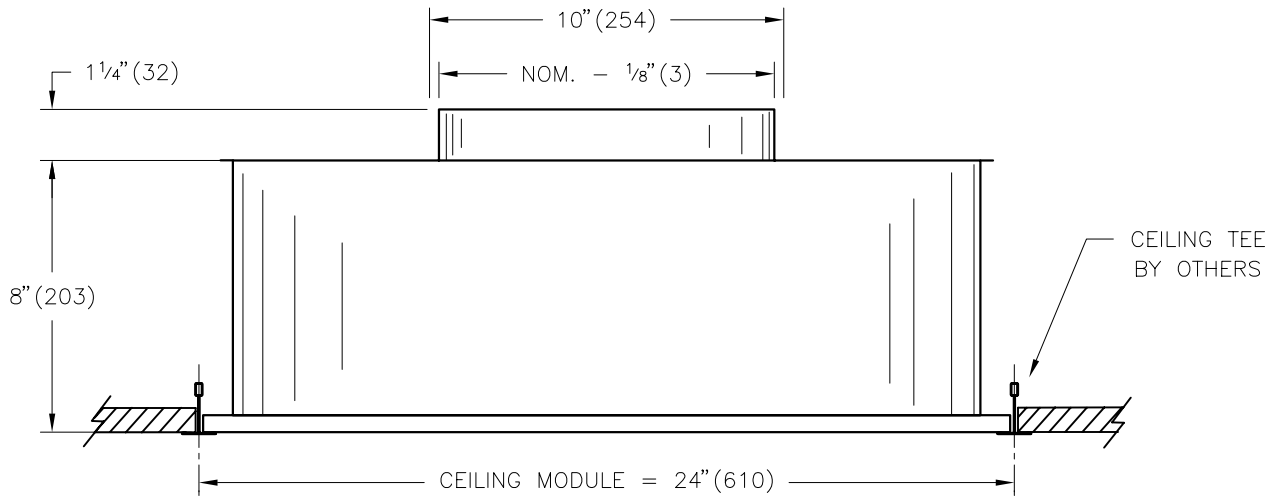


TO SUIT NOM. 24" X 24" CEILING GRID

ALL METRIC DIMENSIONS () ARE SOFT CONVERTED. IMPERIAL DIMENSIONS ARE CONVERTED TO METRIC AND ROUNDED TO THE NEAREST MILLIMETER.

PROJECT:		PRICE [®]	
ENGINEER:		 222374	RVD RADIAL VANE DIFFUSER T-BAR MOUNT SQUARE FACE
CUSTOMER:			
SUBMITTAL DATE:	SPEC. SYMBOL:	OCT 2006	

RVDAL RADIAL VANE DIFFUSER



CEILING MODULE	OVERALL DIFFUSER	ROUND DUCT SIZES					
24" X 24" (610) X (610)	23 3/4" X 23 3/4" (603) X (603)	6" (152)	8" (203)	10" (254)	12" (305)	14" (356)	16" (406)

NOTES:

- ROUND PLENUM

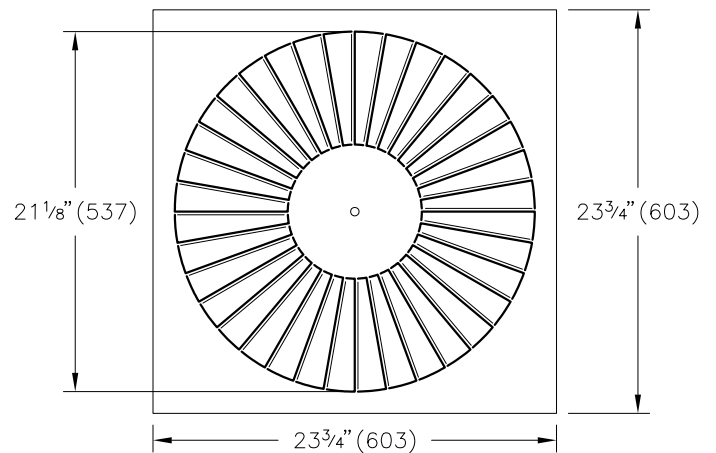
MATERIAL

- RVDAL: ALUMINUM FACE AND COATED STEEL PLENUM

FINISH

DIFFUSER FACE: B12 WHITE
(OPTIONAL FINISHES AVAILABLE)

- PLENUM: MILL FINISH

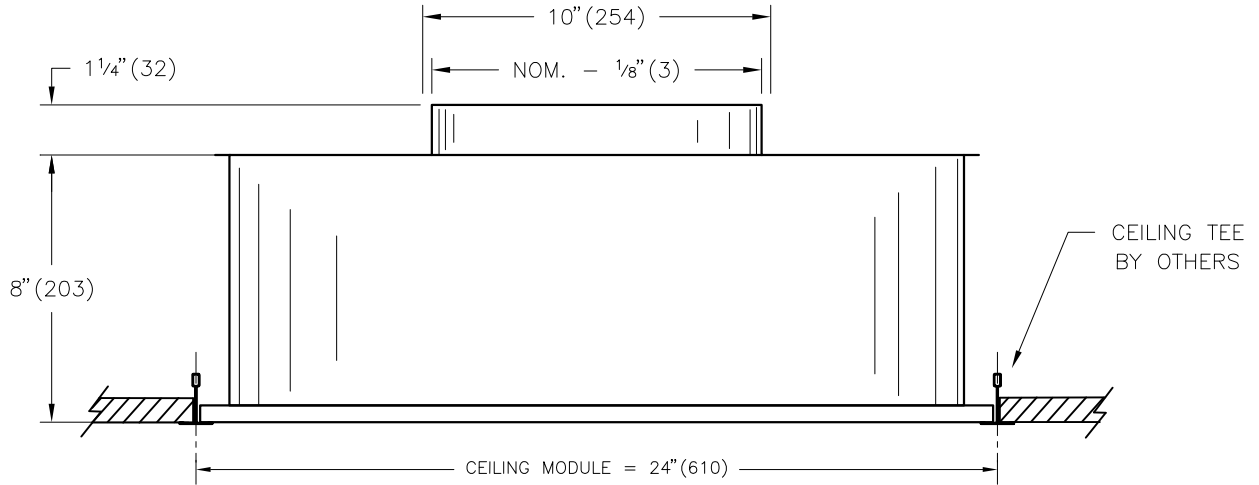


TO SUIT NOM. 24" X 24" CEILING GRID

ALL METRIC DIMENSIONS () ARE SOFT CONVERTED. IMPERIAL DIMENSIONS ARE CONVERTED TO METRIC AND ROUNDED TO THE NEAREST MILLIMETER.

PROJECT:		PRICE [®]	
ENGINEER:		<i>RV</i>	RVDAL RADIAL VANE DIFFUSER T BAR MOUNT SQUARE FACE
CUSTOMER:		222382	
SUBMITTAL DATE:	SPEC. SYMBOL:	OCT 2006	

RVDSS RADIAL VANE DIFFUSER



CEILING MODULE	OVERALL DIFFUSER	ROUND DUCT SIZES					
24" X 24" (610) X (610)	23 3/4" X 23 3/4" (603) X (603)	6" (152)	8" (203)	10" (254)	12" (305)	14" (356)	16" (406)

NOTES:

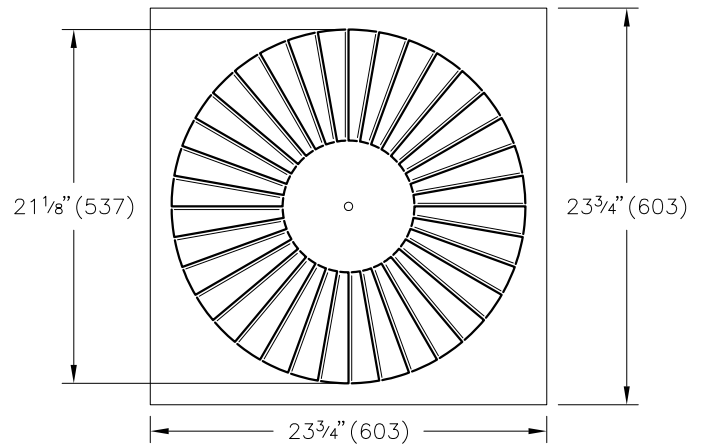
- RVDSS: ROUND PLENUM

MATERIAL

- RVDSS: STAINLESS STEEL FACE AND COATED STEEL PLENUM


FINISH

- DIFFUSER FACE: #4
- PLENUM: MILL FINISH

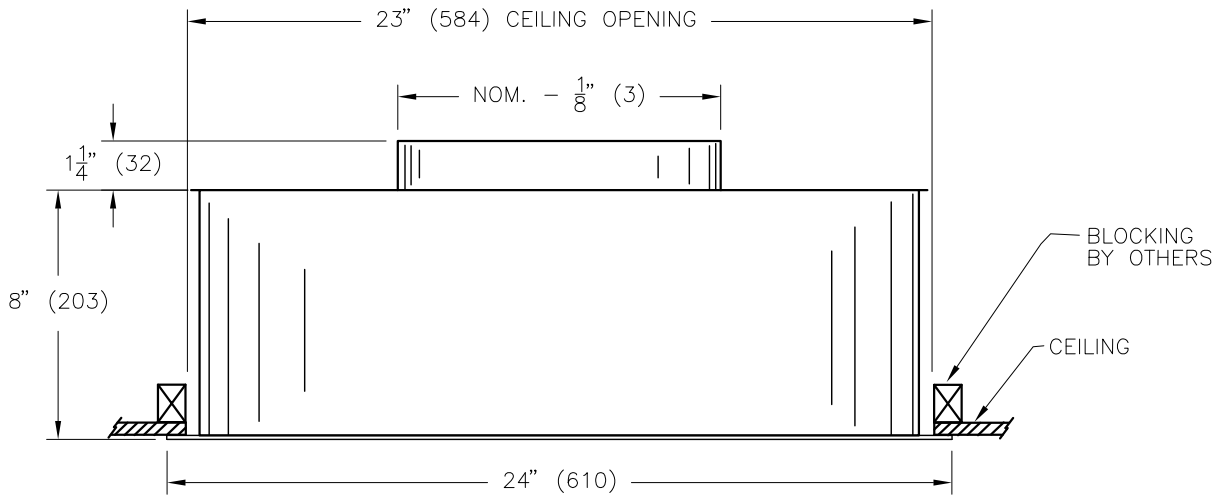


TO SUIT NOM. 24" X 24" CEILING GRID

ALL METRIC DIMENSIONS () ARE SOFT CONVERTED. IMPERIAL DIMENSIONS ARE CONVERTED TO METRIC AND ROUNDED TO THE NEAREST MILLIMETER.

PROJECT:		PRICE [®]	
ENGINEER:			RVDSS
CUSTOMER:		222381	RADIAL VANE DIFFUSER T BAR MOUNT SQUARE FACE
SUBMITTAL DATE:	SPEC. SYMBOL:	OCT2006	

RVD RADIAL VANE DIFFUSER



OVERALL DIFFUSER	ROUND INLET DUCT SIZES					
24" (610) DIAMETER	6" (152)	8" (203)	10" (254)	12" (305)	14" (356)	16" (406)

NOTES:

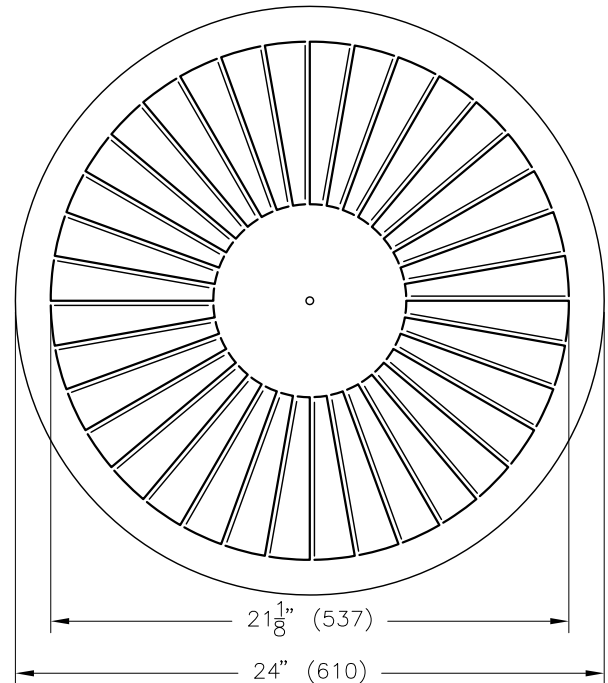
ALL MODELS SUPPLIED WITH ROUND PLENUM.

MATERIAL

- CRS FACE AND COATED STEEL PLENUM

FINISH

- DIFFUSER FACE: B12 WHITE
(OPTIONAL FINISHES AVAILABLE)
- PLENUM: MILL FINISH



ALL METRIC DIMENSIONS () ARE SOFT CONVERTED. IMPERIAL DIMENSIONS ARE CONVERTED TO METRIC AND ROUNDED TO THE NEAREST MILLIMETER.

PROJECT:		PRICE [®]	
ENGINEER:		<i>RVD</i>	RVD RADIAL VANE DIFFUSER SURFACE MOUNT ROUND FACE
CUSTOMER:			
SUBMITTAL DATE:	SPEC. SYMBOL:	2010/02/16	